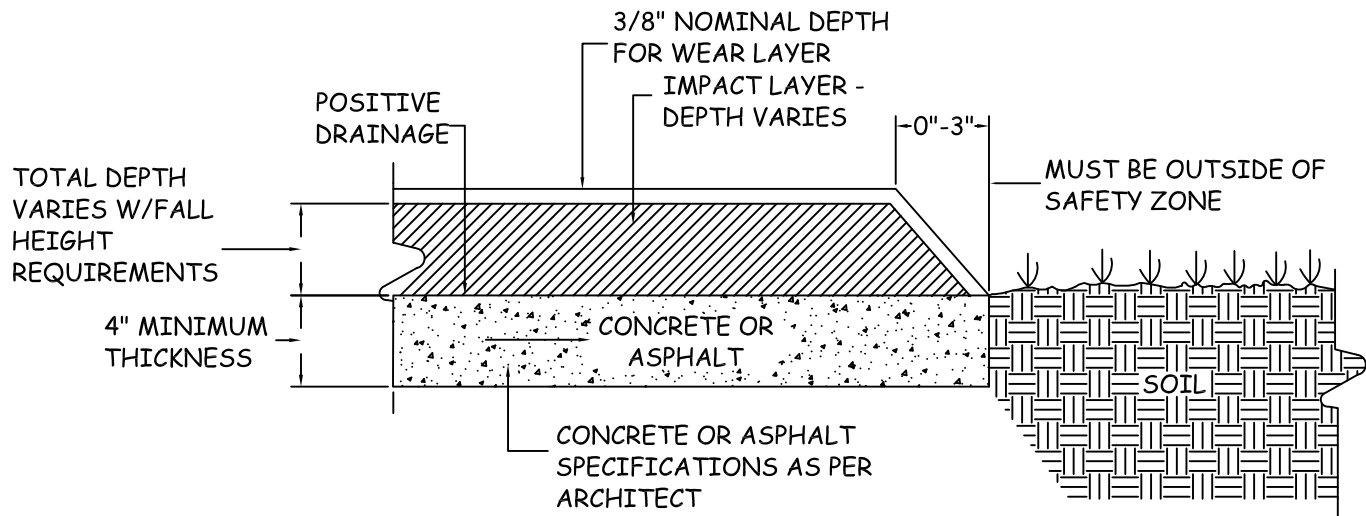


NO FAULT SAFETY SURFACE
DETAIL SHEET "A"
CONCRETE BASE ADJACENT
TO SOIL



NOT TO SCALE

NOTES

Transition zone varies with depth changes

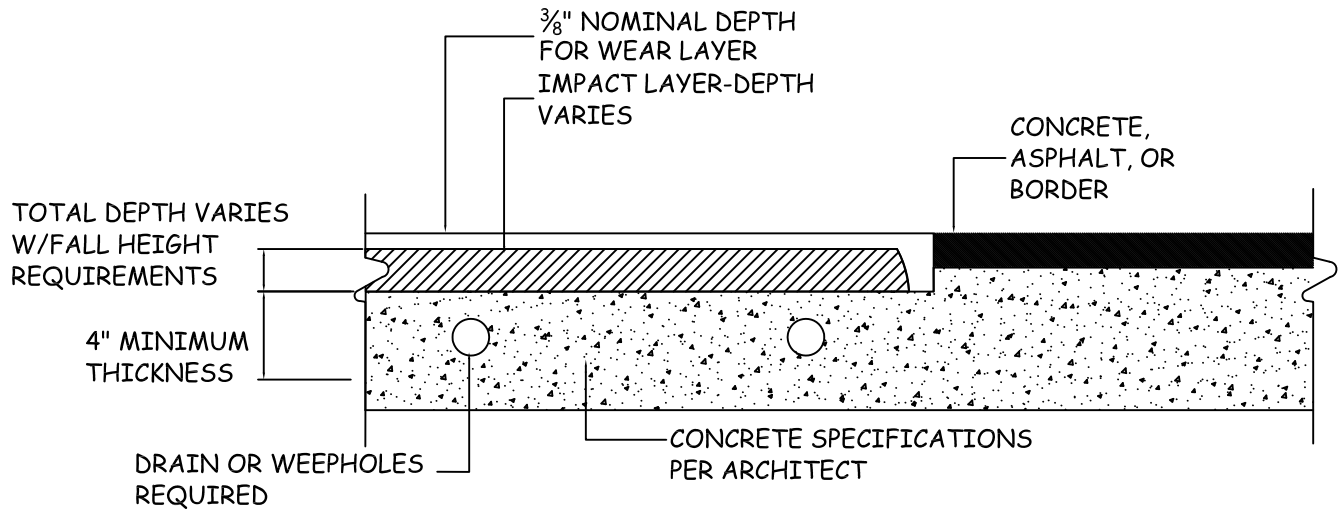
DISCLAIMER:

No Fault Sport Group LLC reserves the right to modify these edge details at anytime. It is the responsibility of the owner/architect/general contractor to verify the validity of these details.



No Fault Sport Group LLC
3112 Valley Creek Drive, Suite C
Baton Rouge, LA 70808
Toll Free: 866-637-7678
www.nofault.com

NO FAULT SAFETY SURFACE
DETAIL SHEET "B"
RECESSED BASE ADJACENT TO CONCRETE EDGE



NOT TO SCALE

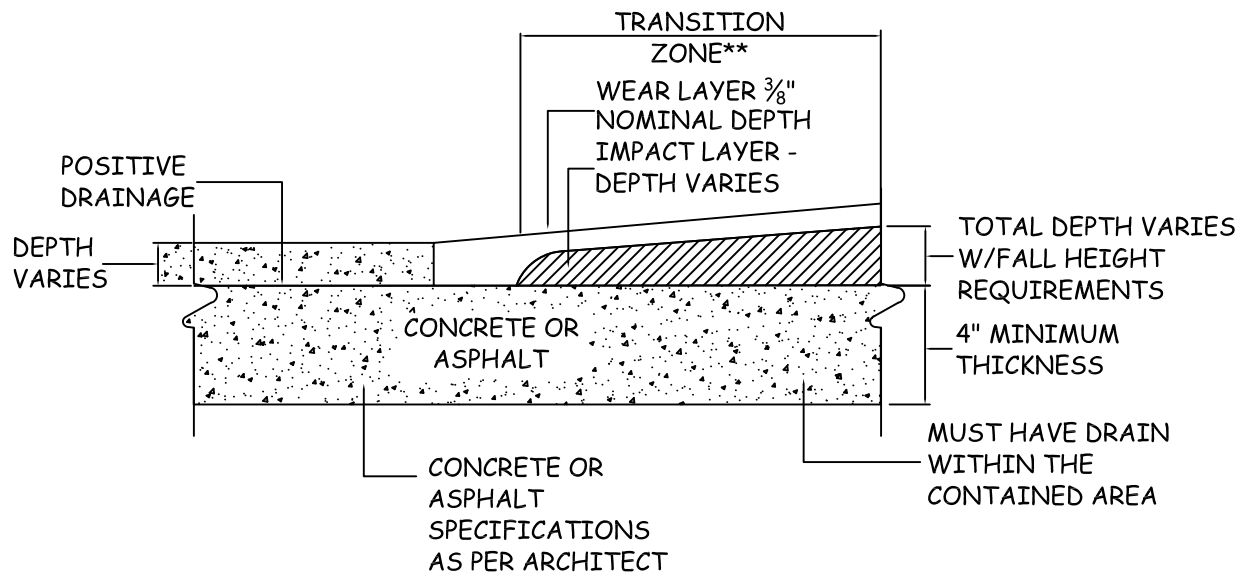
DISCLAIMER:

No Fault Sport Group LLC reserves the right to modify these edge details at anytime. It is the responsibility of the owner/architect/general contractor to verify the validity of these details.



No Fault Sport Group LLC
3112 Valley Creek Drive, Suite C
Baton Rouge, LA 70808
Toll Free: 866-637-7678
www.nofault.com

NO FAULT SAFETY SURFACE
DETAIL SHEET "C"
CONCRETE BASE ADJACENT TO
CONCRETE SIDEWALK



NOT TO SCALE

NOTES

Transition zone varies with depth change.

Transition zone shall have a 1:20 maximum slope to meet ADA requirements.

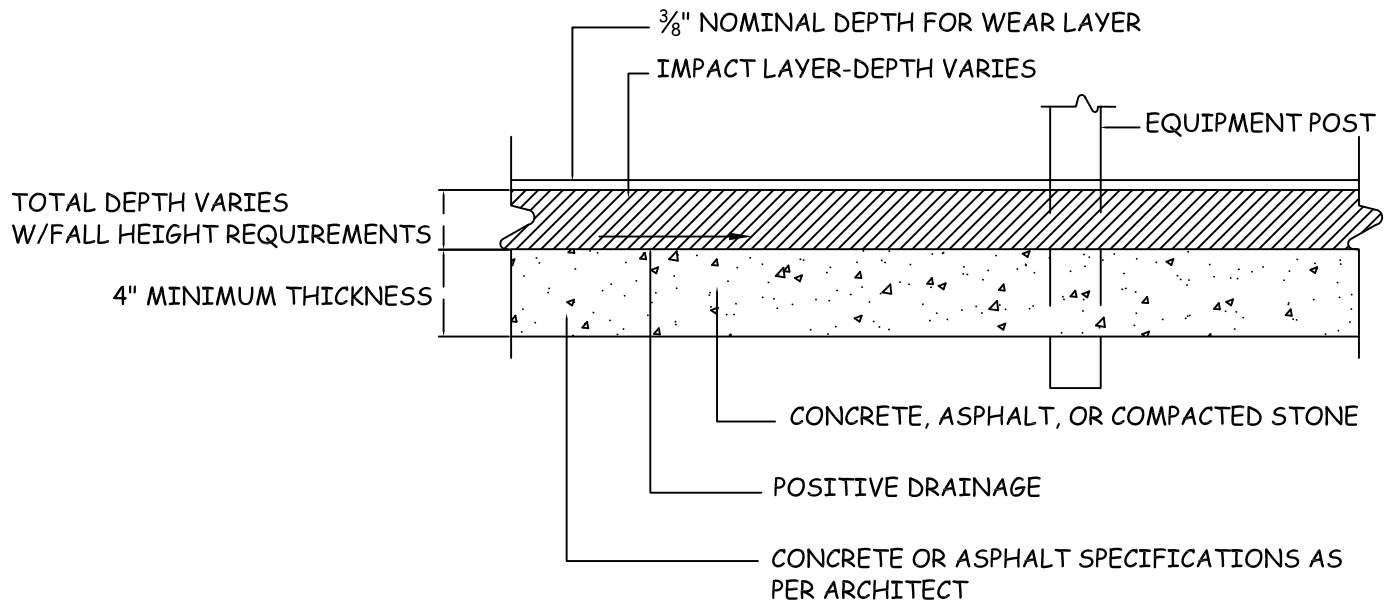
DISCLAIMER:

No Fault Sport Group LLC reserves the right to modify these edge details at anytime. It is the responsibility of the owner/architect/general contractor to verify the validity of these details.



No Fault Sport Group LLC
3112 Valley Creek Drive, Suite C
Baton Rouge, LA 70808
Toll Free: 866-637-7678
www.nofault.com

NO FAULT SAFETY SURFACE
DETAIL SHEET "D"
NO FAULT SAFETY SURFACE AROUND
EQUIPMENT POST



NOT TO SCALE

DISCLAIMER:

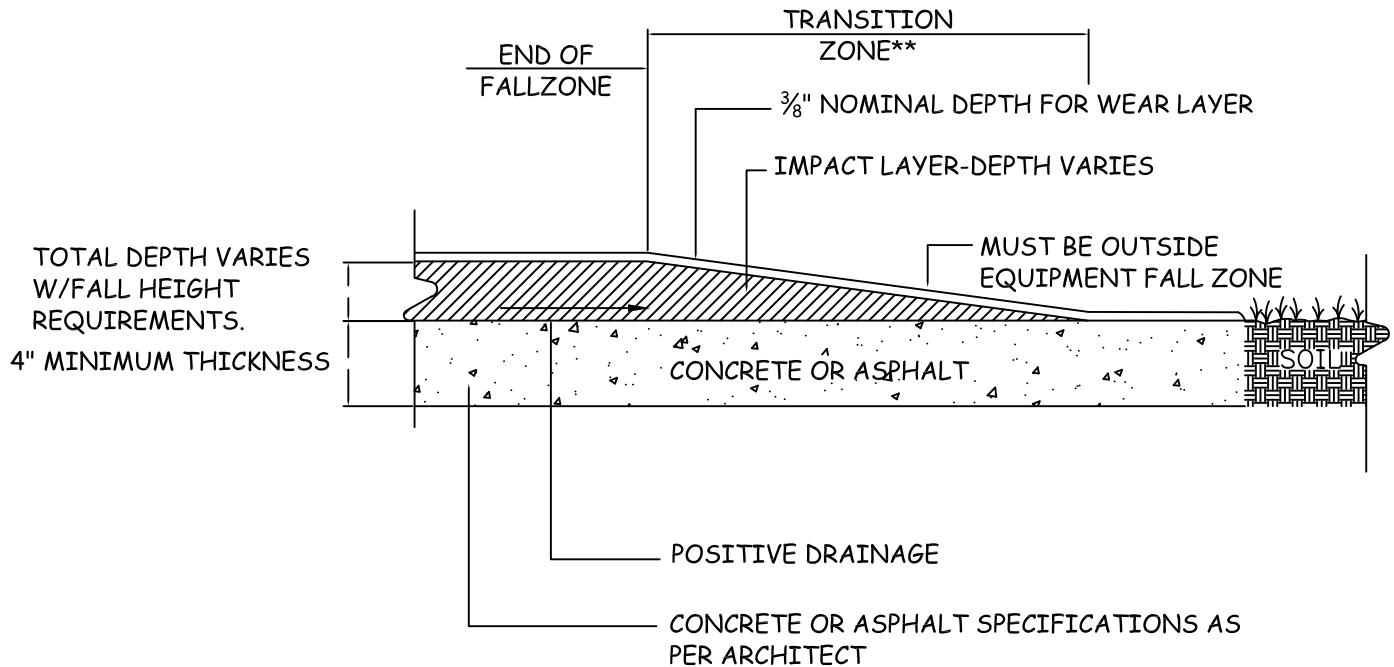
No Fault Sport Group LLC reserves the right to modify these edge details at anytime. It is the responsibility of the owner/architect/general contractor to verify the validity of these details.



No Fault Sport Group LLC
3112 Valley Creek Drive, Suite C
Baton Rouge, LA 70808
Toll Free: 866-637-7678
www.nofault.com

NO FAULT SAFETY SURFACE
DETAIL SHEET "E"

NO FAULT SAFETY SURFACE DEPTH FALL ZONE TRANSITION
**DOWN TO 3/8" CAP ONLY OVER CONCRETE BASE ** ADJACENT TO
GRASS EDGE



NOT TO SCALE

NOTES:

Transition zone varies with depth changes.

Transition zone shall have a 1:20 maximum slope to meet ADA requirements.

DISCLAIMER:

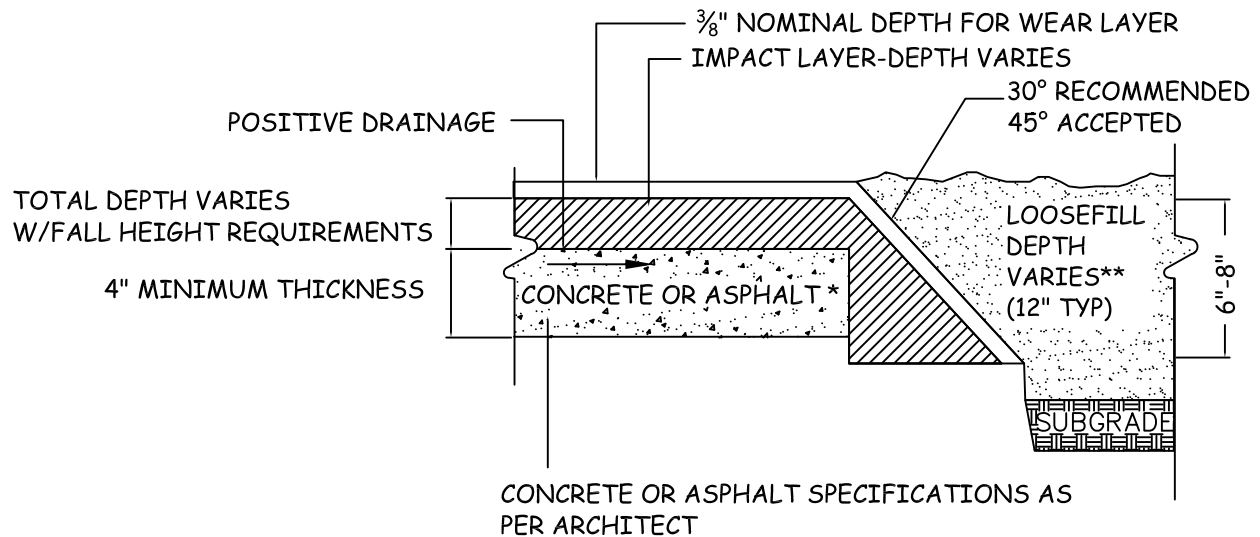
No Fault Sport Group LLC reserves the right to modify these edge details at anytime. It is the responsibility of the owner/architect/general contractor to verify the validity of these details.



No Fault Sport Group LLC
3112 Valley Creek Drive, Suite C
Baton Rouge, LA 70808
Toll Free: 866-637-7678
www.nofault.com

NO FAULT SAFETY SURFACE
DETAIL SHEET "F"

SLOPED SOFT SHOULDER EDGE OVER CONCRETE BASE* ADJACENT
TO LOOSE FILL**



NOT TO SCALE

NOTES:

Transition zone varies with depth changes.

Loose fill as per manufacturer recommendations to be installed after No Fault Safety Surface installation.

Soft edge details are not designed to meet ADA requirements.

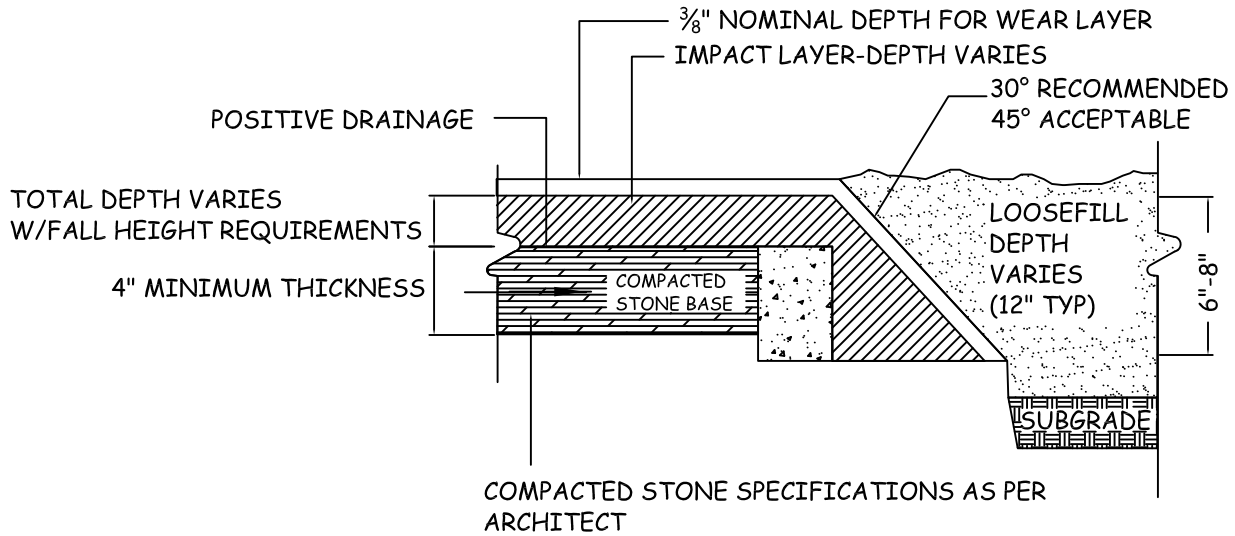
DISCLAIMER:

No Fault Sport Group LLC reserves the right to modify these edge details at anytime. It is the responsibility of the owner/architect/general contractor to verify the validity of these details.



No Fault Sport Group LLC
3112 Valley Creek Drive, Suite C
Baton Rouge, LA 70808
Toll Free: 866-637-7678
www.nofault.com

NO FAULT SAFETY SURFACING
DETAIL SHEET "G"
SLOPED SOFT SHOULDER EDGE OVER CONCRETE BASE
ADJACENT TO LOOSE FILL



NOT TO SCALE

NOTES:

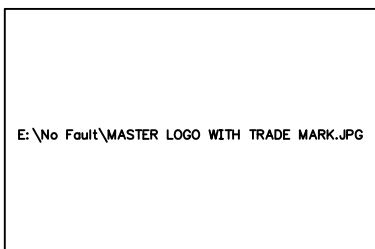
Loose fill as per manufacturer recommendations to be installed after No Fault Safety Surface installation.

Industry Standard for border 6"-8"; 4"-8" is acceptable.

Soft edge details are not designed to meet ADA requirements.

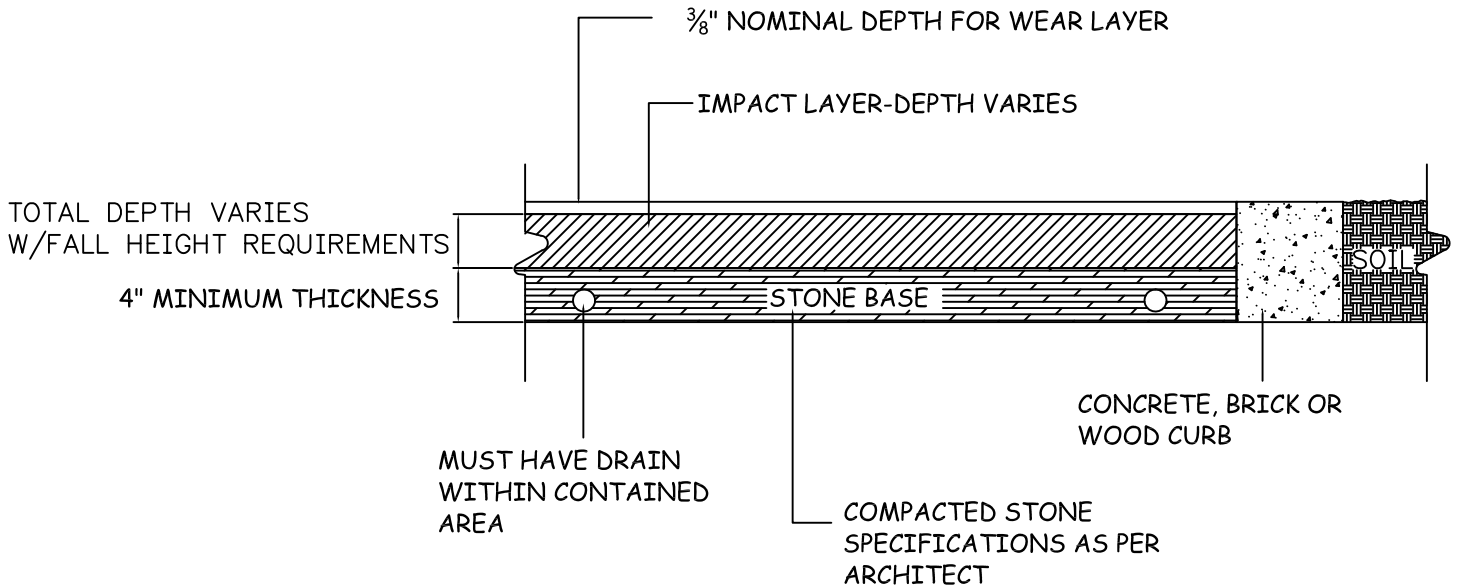
DISCLAIMER:

No Fault Sport Group LLC reserves the right to modify these edge details at anytime. It is the responsibility of the owner/architect/general contractor to verify the validity of these details.



No Fault Sport Group LLC
 3112 Valley Creek Drive, Suite C
 Baton Rouge, LA 70808
 Toll Free: 866-637-7678
www.nofault.com

NO FAULT SAFETY SURFACE
DETAIL SHEET "H"
FIXED BORDER ADJACENT TO GRASS EDGE



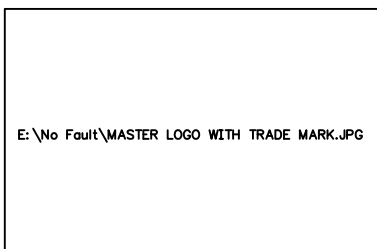
NOT TO SCALE

NOTES:

For compacted stone bases, filter cloth can be laid on top of stone prior to installation of No Fault Safety Surfacing.
 Industry Standard for border is 6" to 8"; 4" to 8" is acceptable.

DISCLAIMER:

No Fault Sport Group LLC reserves the right to modify these edge details at anytime. It is the responsibility of the owner/architect/general contractor to verify the validity of these details.



No Fault Sport Group LLC
 3112 Valley Creek Drive, Suite C
 Baton Rouge, LA 70808
 Toll Free: 866-637-7678
www.nofault.com