



NO FAULT SAFETY TILES

ALTERNATIVE INSTALLATION SYSTEM FOR
ROOF-TOP & STONE SUB-BASE APPLICATIONS

No Fault 4-Corner Lock Connector System

No Fault Safety Tiles can be installed using a variety of installation methods.

The most common and secure method is full adhesion of tiles and accessories to the substrates using EGrip, an easy-to-use one part polyurethane adhesive (provided with your order).

EGrip's coverage is approximately 60 sq/ft on concrete, 50 sq/ft on asphalt and 45 sq/ft on protective fabric (1/8" square notched trowel) and is available in 2.5 or 5 gallon pails.



For compacted stone sub-base, rooftop, and other specialty applications, we recommend No Fault 4-Corner Lock System. This system offers added stability and ease of installation and maintenance. Tiles are adhered to the 4-Corner Lock grid connector eliminating any potential damage to the sub-base or roof membrane. Replacing individual tiles and securing a strong, tight-fitting system is a snap with the No Fault Safety Tiles (4-Corner Lock System).

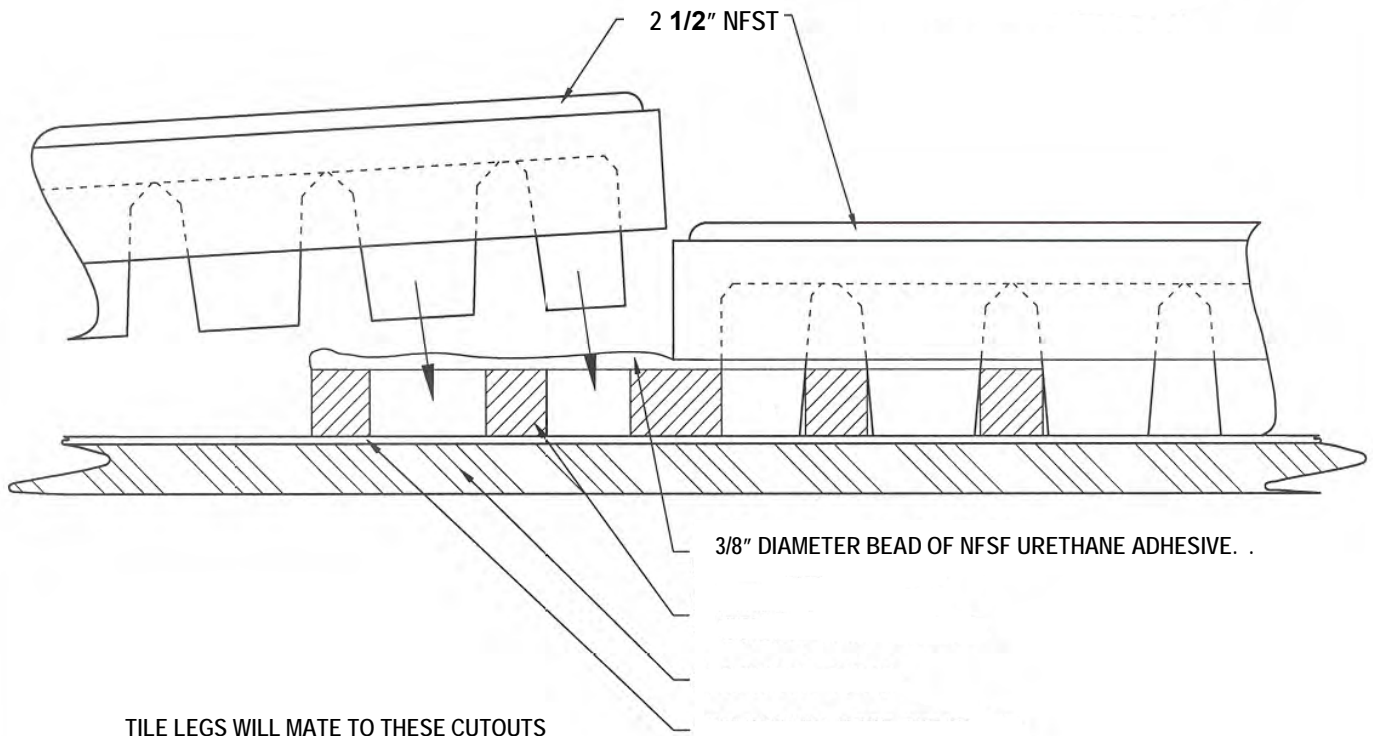
Additionally, it uses EGrip Adhesive in 10.3 oz. caulk tubes, at a rate of one tube per ten 4-Corner Lock connectors with a 3/8" bead.

For more detailed installation instructions, please refer to the No Fault Safety Tiles Installation and maintenance manual.



NO FAULT SPORT GROUP, LLC
 3112 VALLEY CREEK DRIVE, STE. C
 BATON ROUGE, LA 70808
 225-215-7760 FAX 225-291-3821
 WWW.NOFAULT.COM

NFST 4-CORNER LOCK HALF CONNECTOR



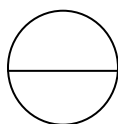
TILE LEGS WILL MATE TO THESE CUTOUTS

INSERT THE NFST HALF LOCK CONNECTOR SO THAT THE STAR SHAPE HOLE IS INBOARD

NOTES:

1. ALL DIMENSIONS ARE SHOWN IN INCHES
2. ONE NFST 4 CORNER LOCK IS REQUIRED PER TILE
3. INSTALLATION TO BE COMPLETED IN ACCORDANCE WITH MANUFACTURER'S SPECIFICATIONS

3/8" DIAMETER BEAD OF NFSF URETHANE ADHESIVE. APPROX. 11 LINEAR INCHES PER HALF CONNECTOR.

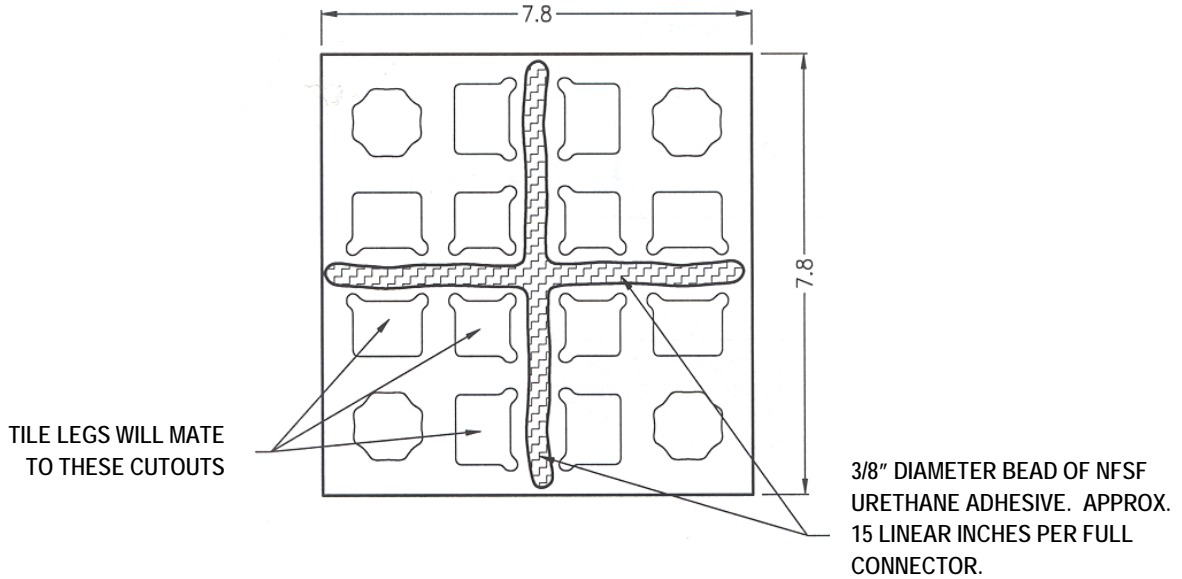


4-CORNER LOCK CONNECTORS
 NO FAULT SAFETY TILE

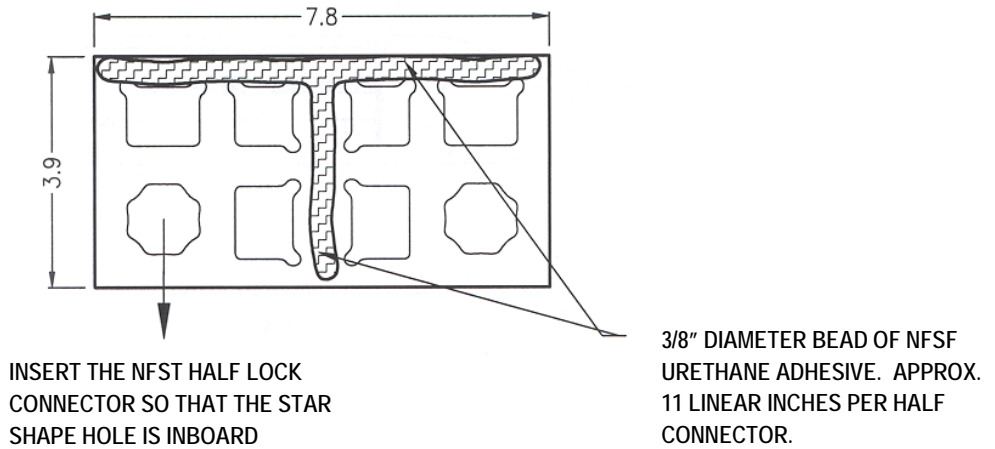


NO FAULT SPORT GROUP, LLC
 3112 VALLEY CREEK DRIVE, STE. C
 BATON ROUGE, LA 70808
 225-215-7760 FAX 225-291-3821
 WWW.NOFAULT.COM

NFST 4-CORNER LOCK FULL CONNECTOR

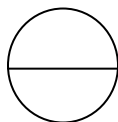


NFST 4-CORNER LOCK HALF CONNECTOR



NOTES:

1. ALL DIMENSIONS ARE SHOWN IN INCHES
2. ONE NFST 4 CORNER LOCK IS REQUIRED PER TILE
3. INSTALLATION TO BE COMPLETED IN ACCORDANCE WITH MANUFACTURER'S SPECIFICATIONS



4-CORNER LOCK CONNECTORS
 NO FAULT SAFETY TILE